

precisionWoRx ZBA®

Technical Specifications



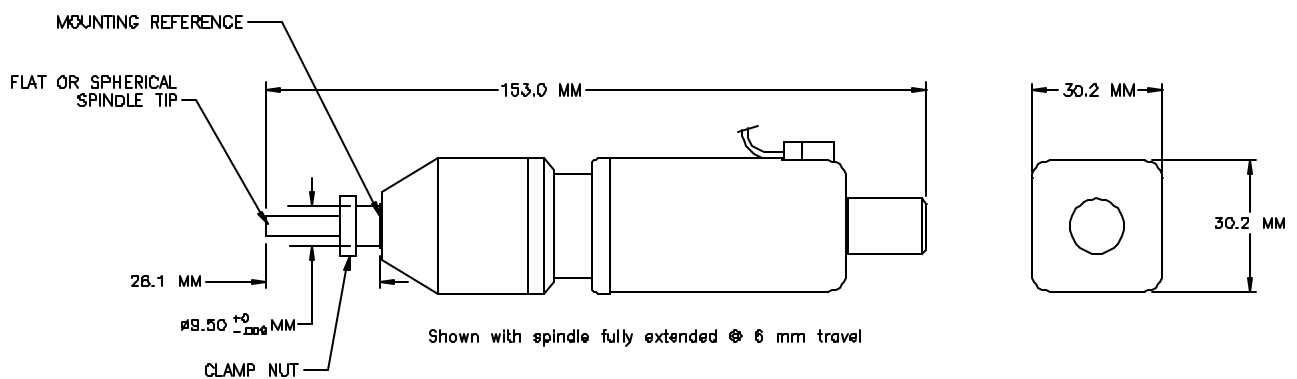
The *precisionWoRx ZBA* actuator provides extremely accurate, sub-micron motion in a compact package for demanding applications in photonics and ultra-precision automation. The Zero-Backlash feature enables dynamic, real-time positioning for complex motion profiles.

PERFORMANCE

Range:	6 mm, with end-of-travel stops
Resolution*:	20 nm
Repeatability*:	Unidirectional: $<\pm 100.0$ nm Bi-directional: $<\pm 150$ nm
Accuracy*:	± 1.5 μ m over 6mm
Load Range:	1.0 – 3.0 Kg
Life*:	Cycles: $>10 \times 10^6$ Distance: $>120 \times 10^6$ mm (bi-directional)

*Using NanoMotion II Micropositioning System Controller with 1.5 Kg axial load.

DIMENSIONS (mm)



Applied Precision, LLC
1040 12th Avenue NW
Issaquah, WA 98027
TEL: 425.557.1000
FAX: 425.557.1055

© 2004 Applied Precision, LLC
Rev 032404

www.appliedprecision.com

Applied Precision and precisionWoRx ZBA
Are registered trademarks of Applied Precision, LLC.